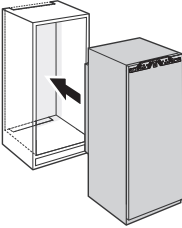
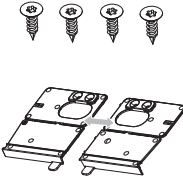
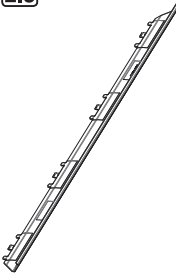
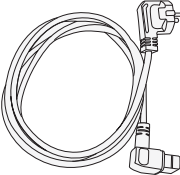
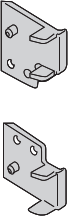
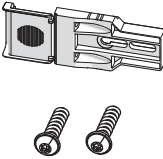



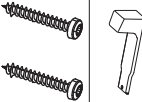
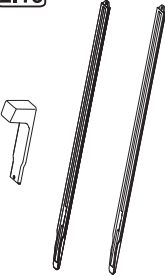
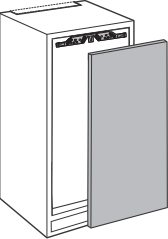


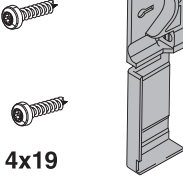


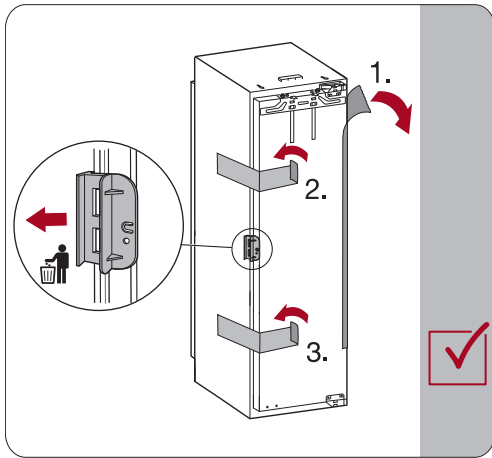
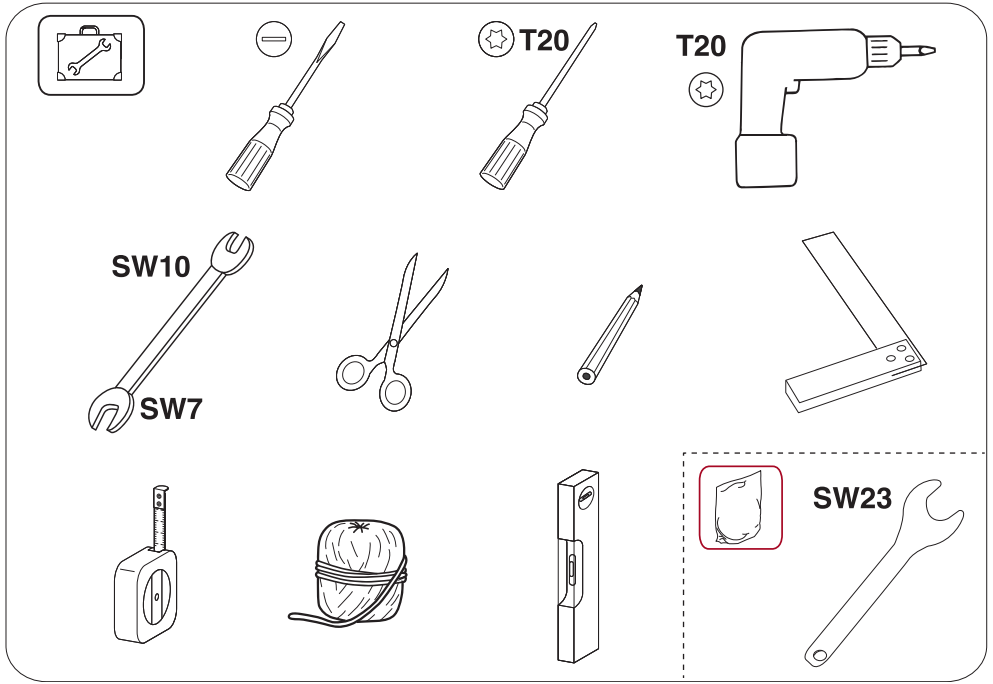
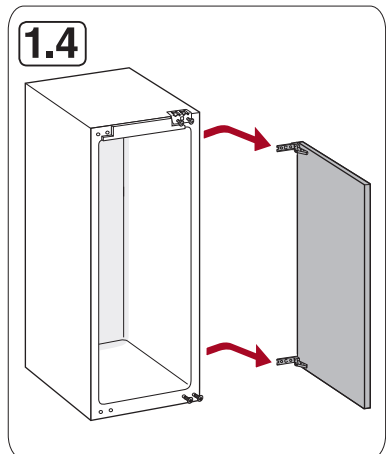
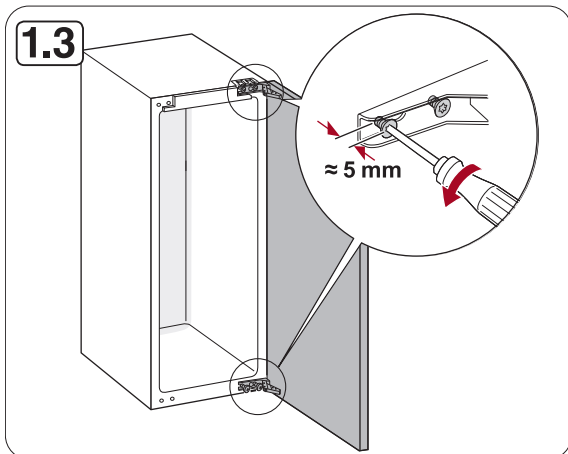
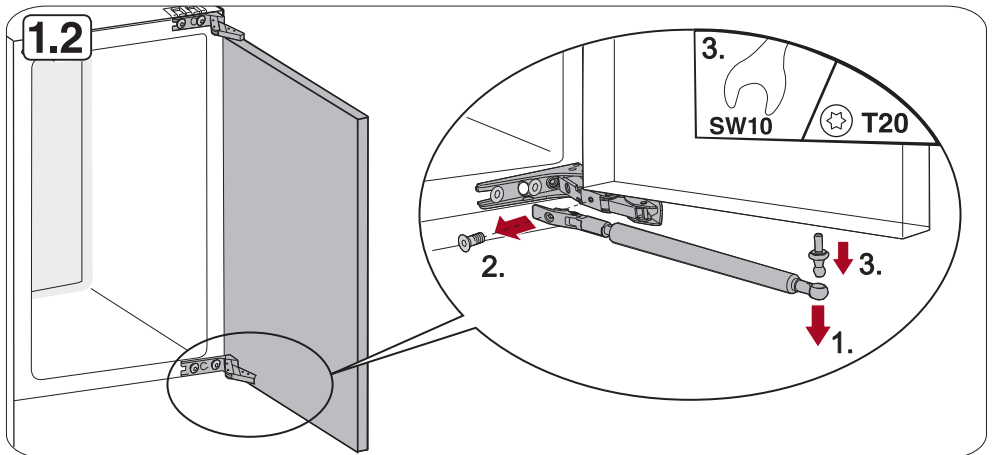
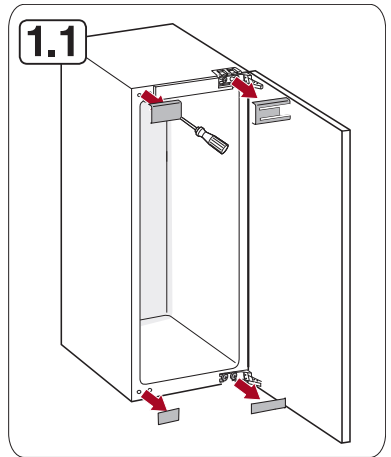
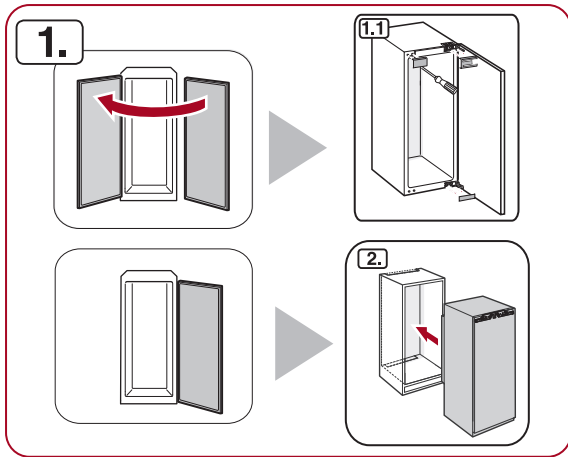
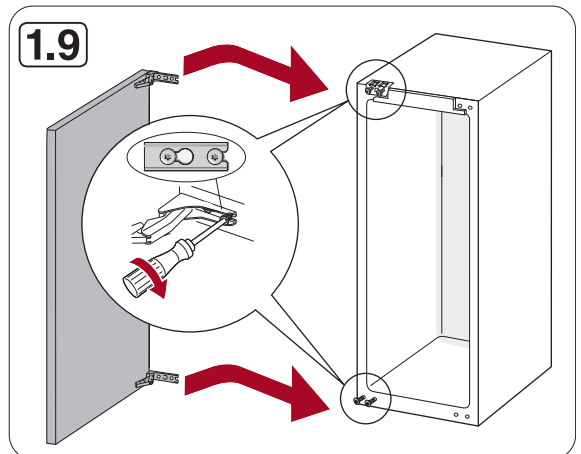
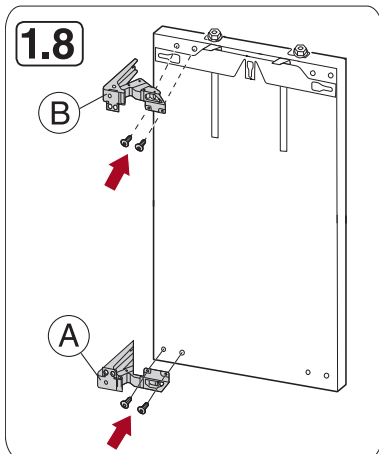
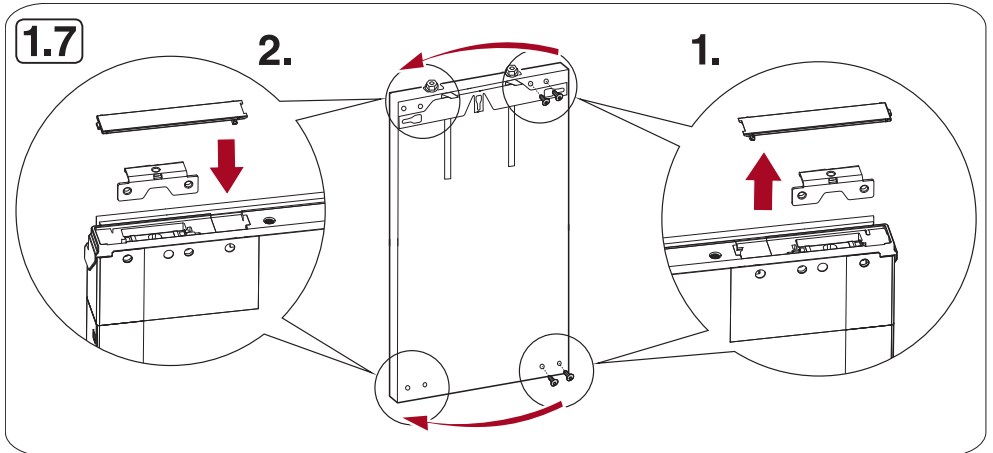
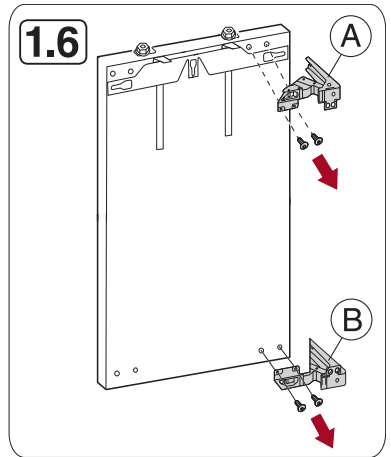
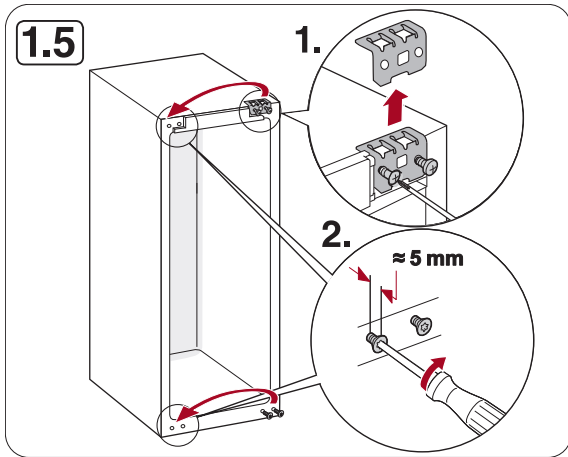


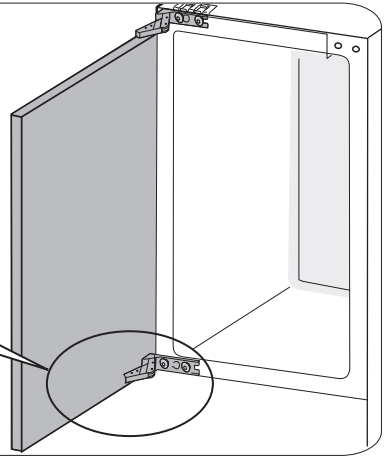
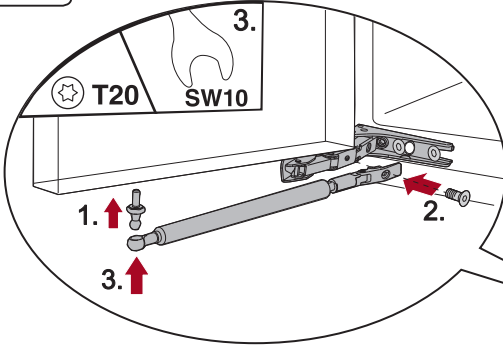
<p>2.</p> 	<p>2.1</p> <p>4x15</p> 	<p>2.3</p> 	<p>2.4</p> 	<p>2.9</p> 
<p>2.11</p>  <p>6x24</p>	<p>2.12</p> <p>4x20</p>  <p>4x20</p> 	<p>2.13</p> <p>4x22</p> 	<p>2.16</p> 	<p>2.18</p> 
<p>3.</p> 	<p>3.5</p>  <p>4x15</p>	<p>3.10</p> <p>2x/4x/6x</p>  <p>4x19</p>  <p>3x13 SW7</p> 	<p>3.11</p> 	



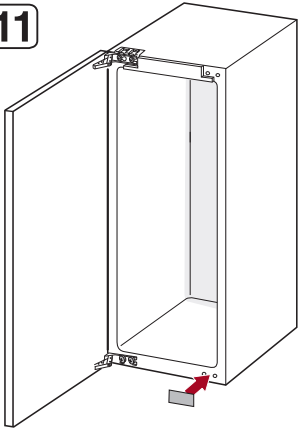




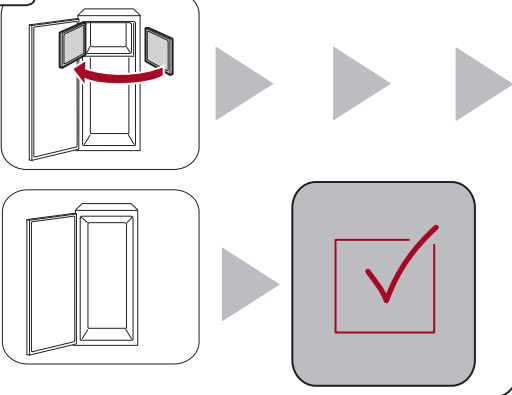
1.10



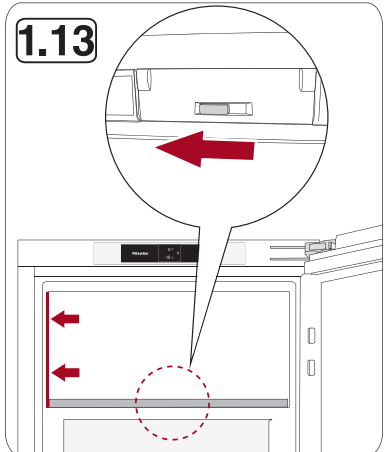
1.11



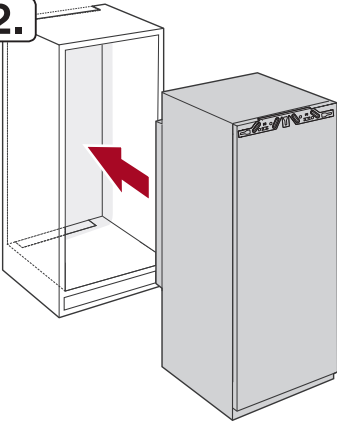
1.12



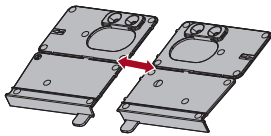
1.13



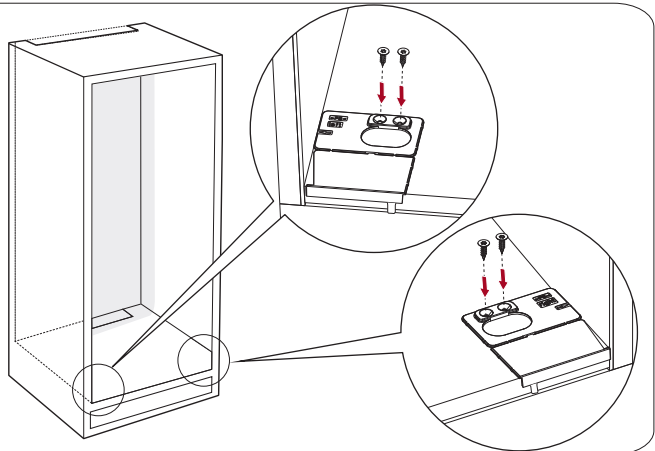
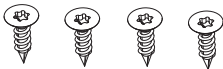
2.



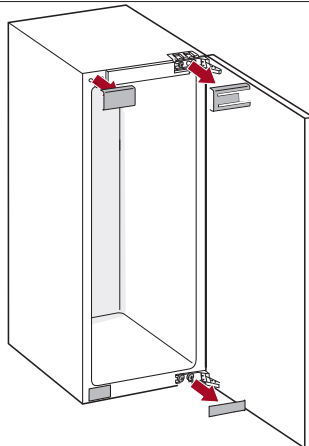
2.1



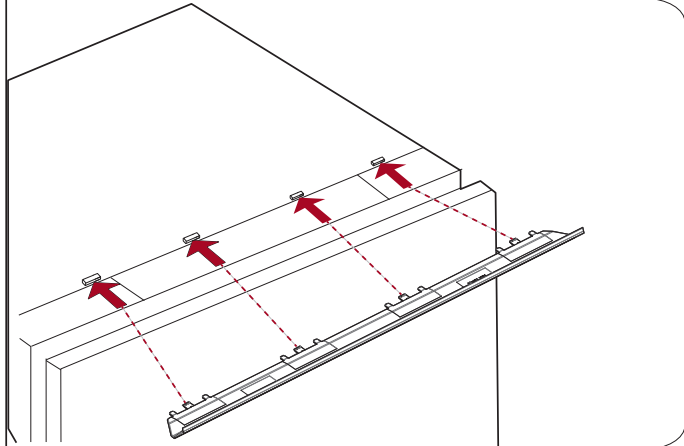
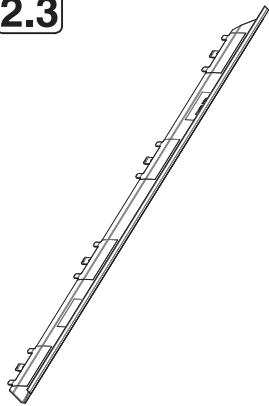
4x15



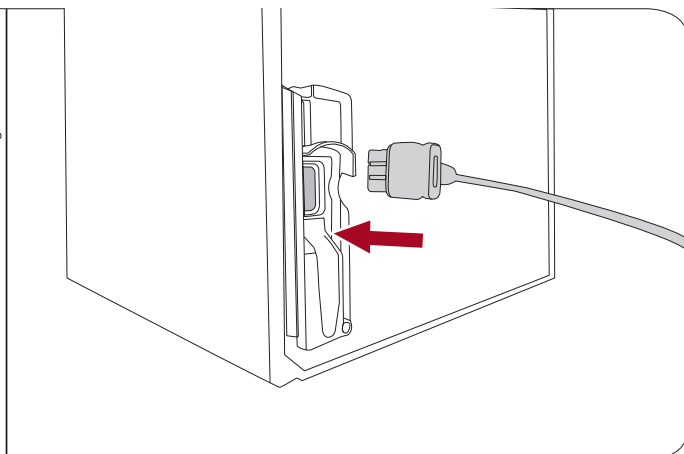
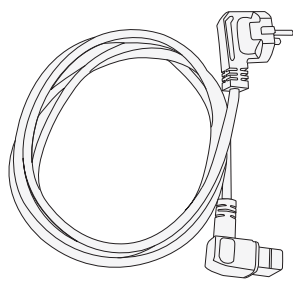
2.2



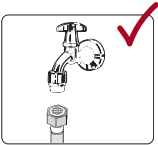
2.3



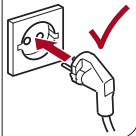
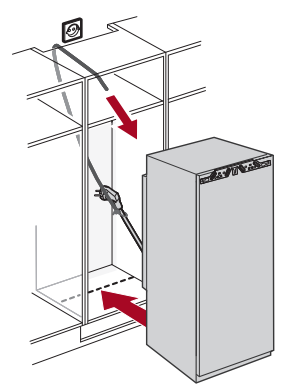
2.4



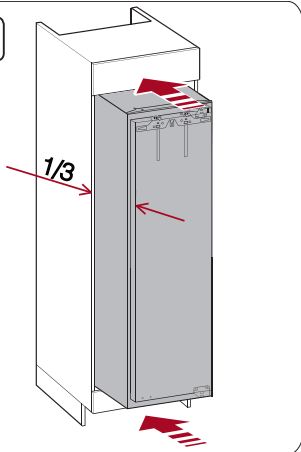
2.5



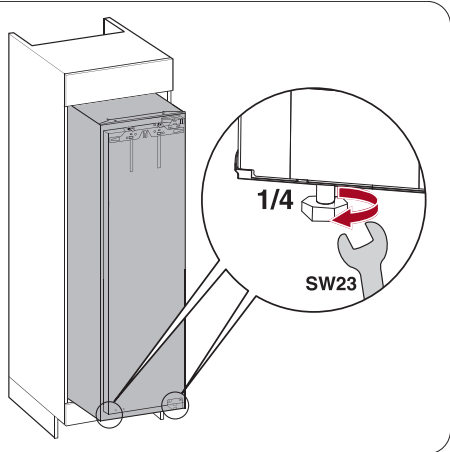
2.6



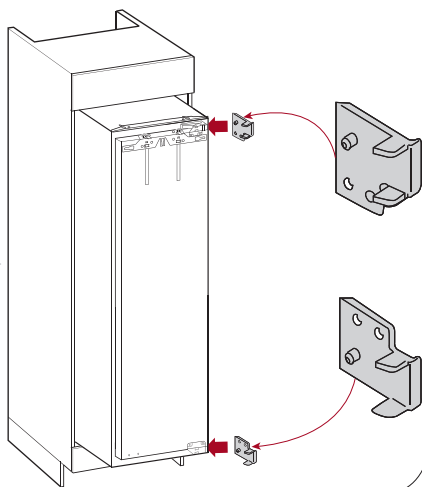
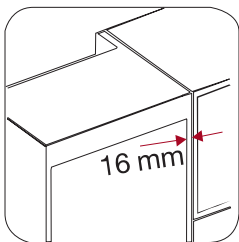
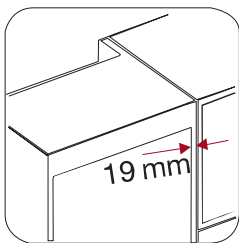
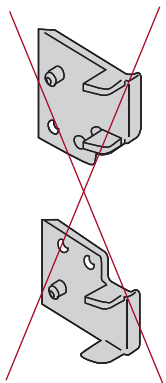
2.7



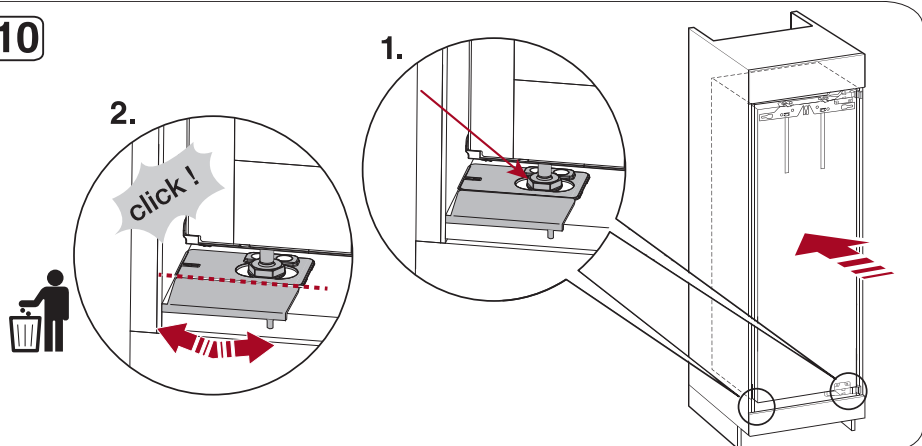
2.8



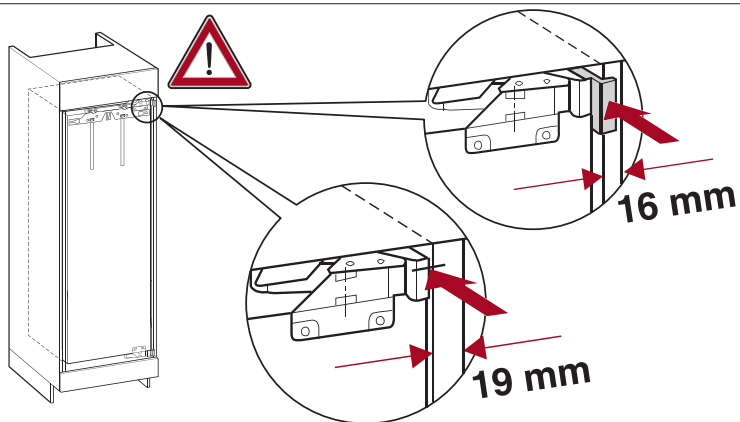
2.9



2.10



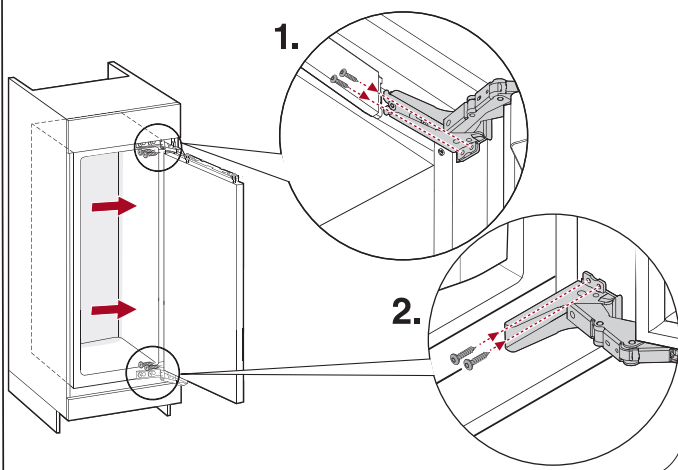
2.11



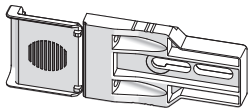
1. 4x20



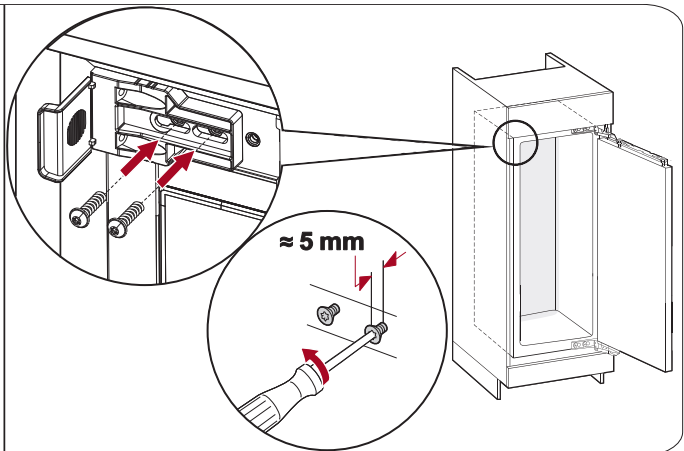
2. 4x20



2.12

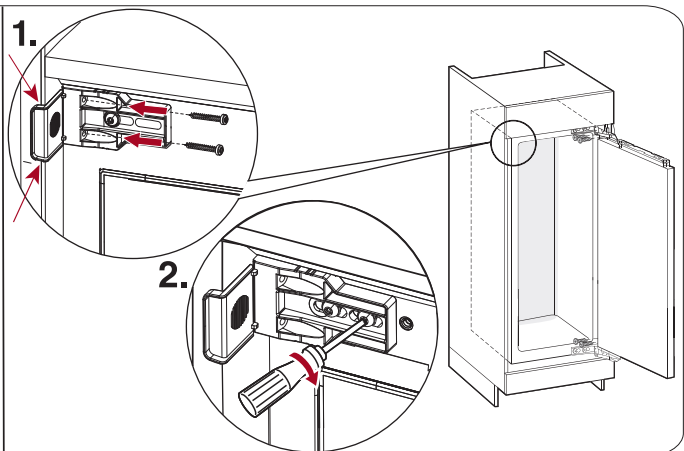
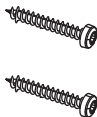


6x24

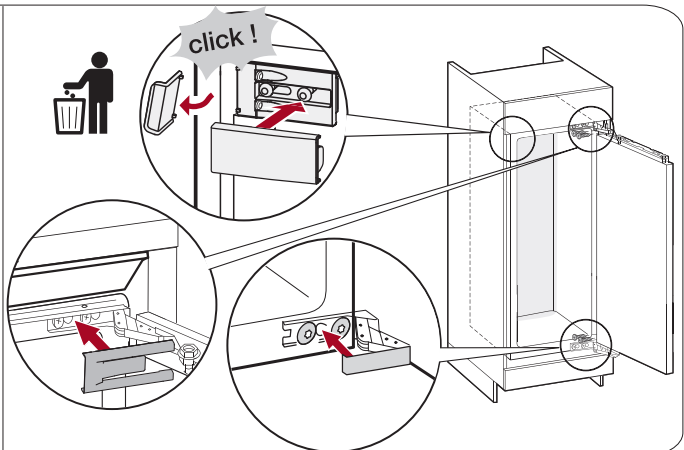
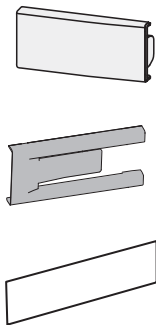


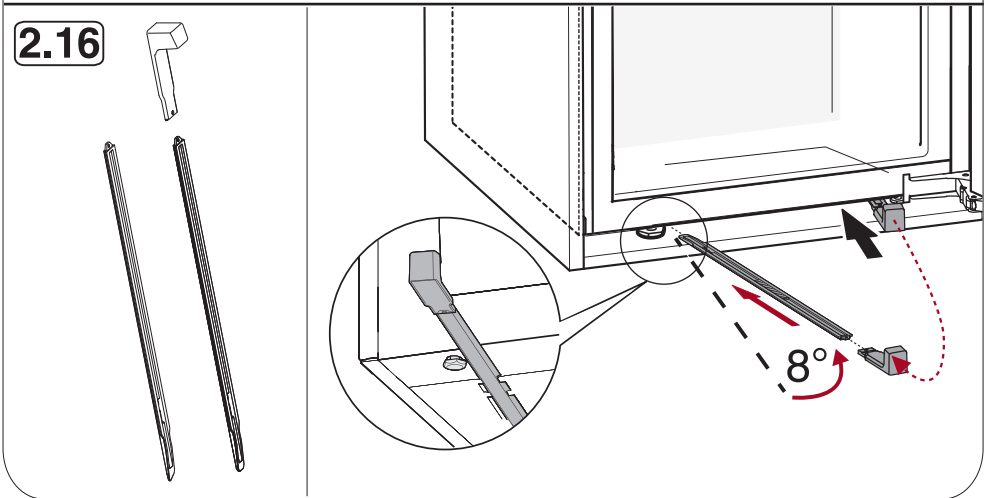
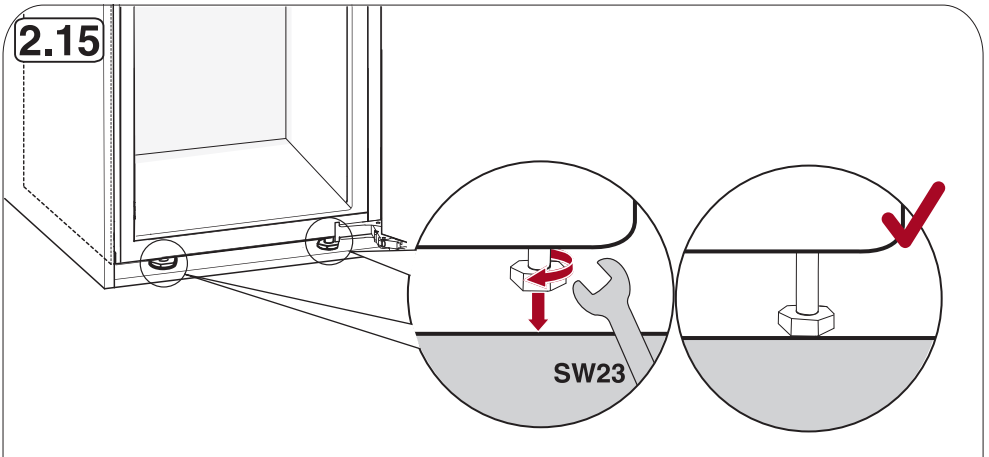
2.13

4x22

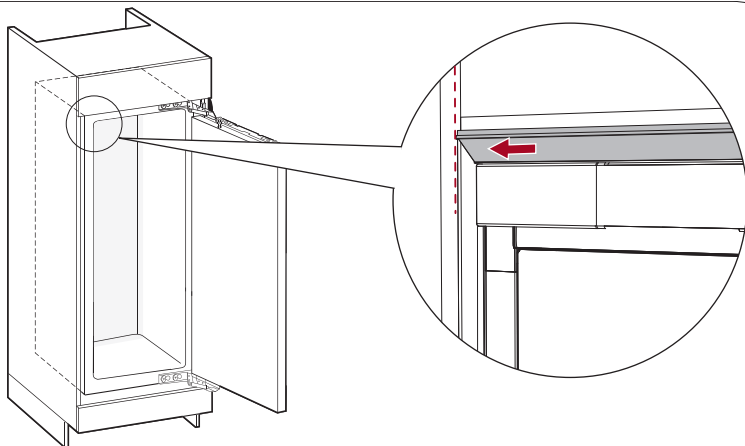


2.14

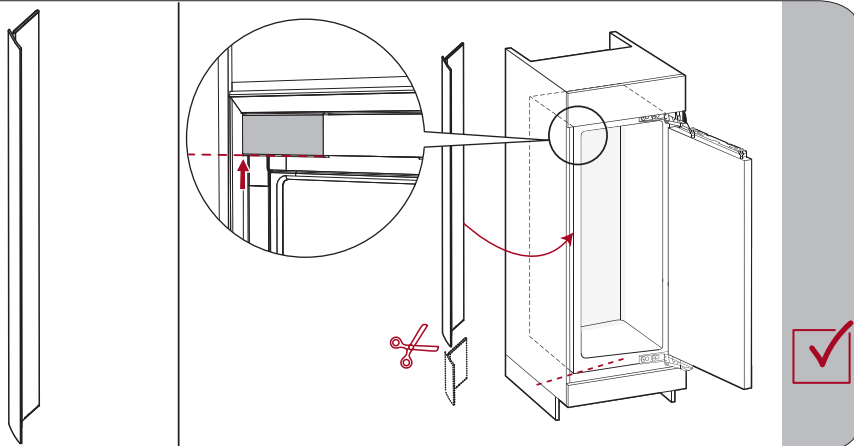


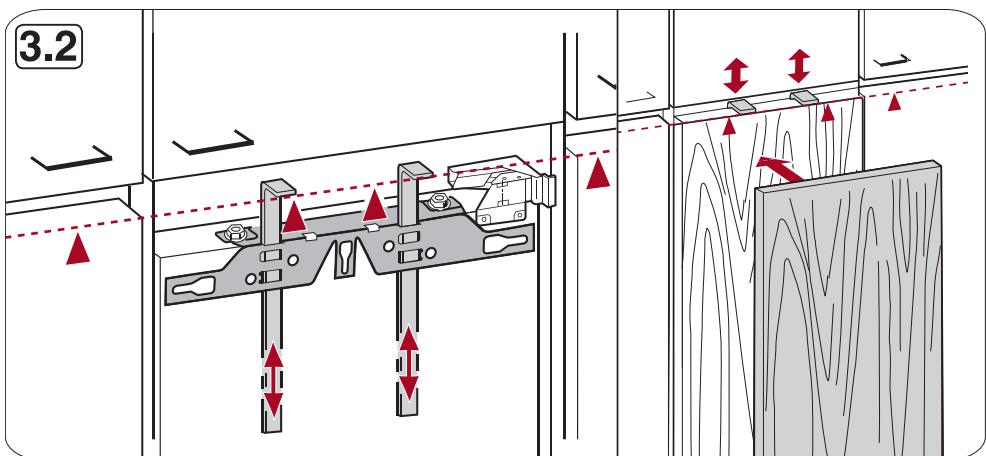
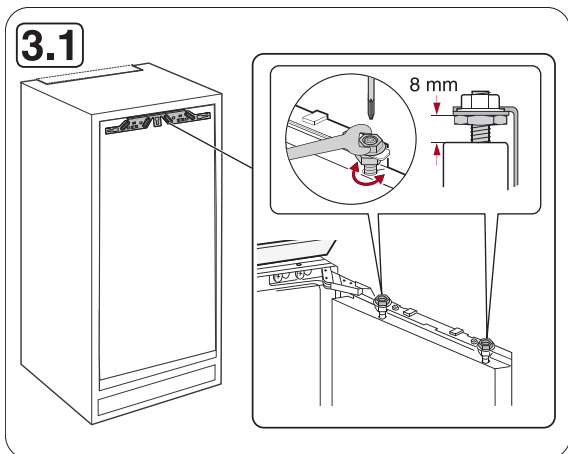
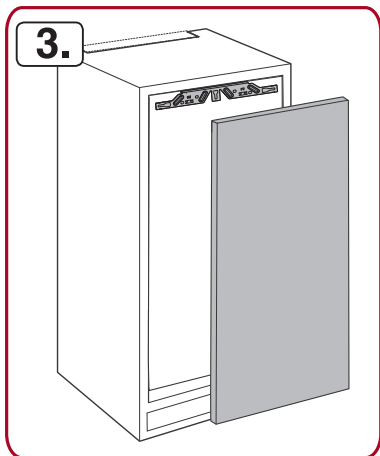


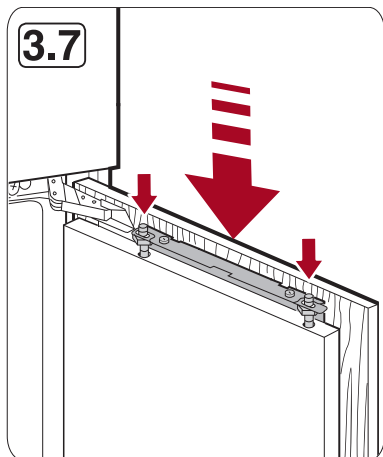
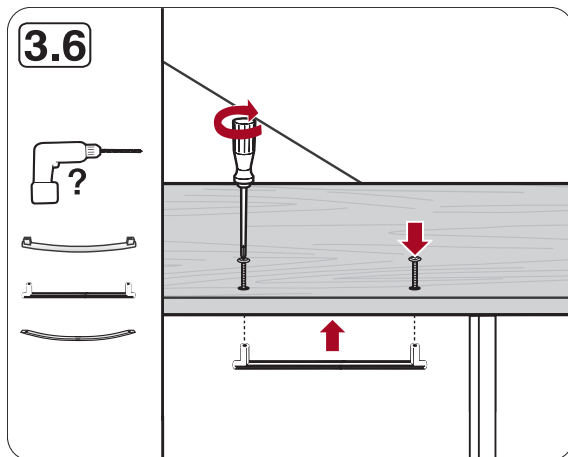
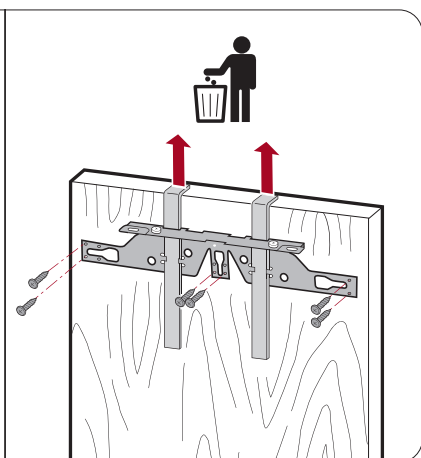
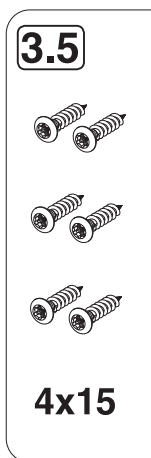
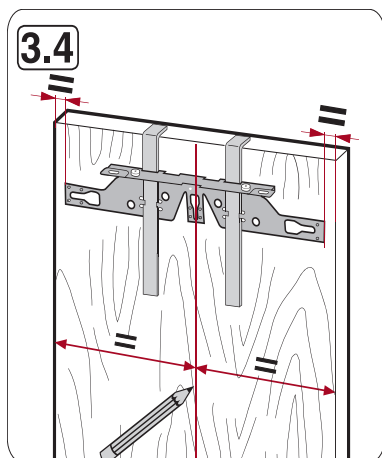
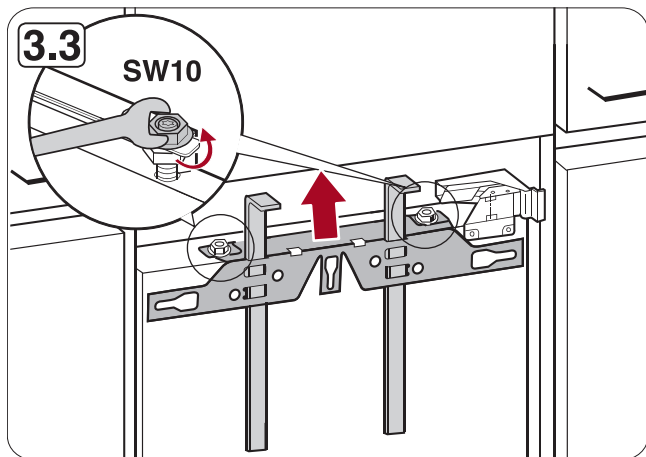
2.17



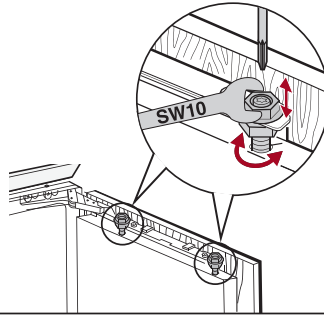
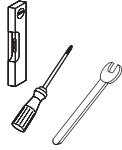
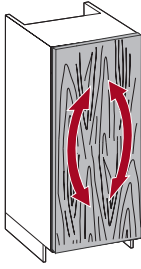
2.18



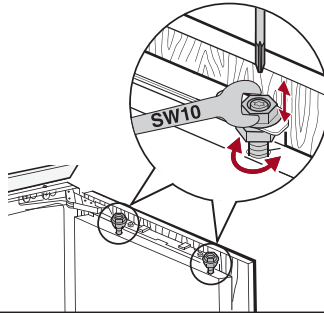
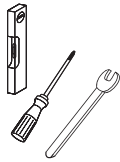
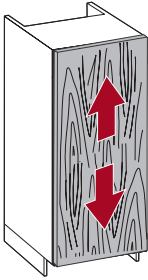
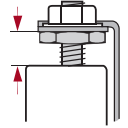




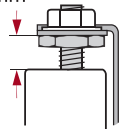
3.8



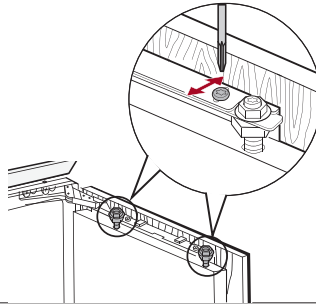
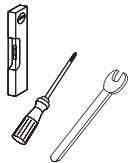
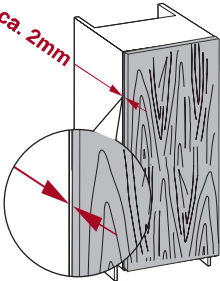
$\geq 3 \text{ mm}$
 $\leq 13 \text{ mm}$



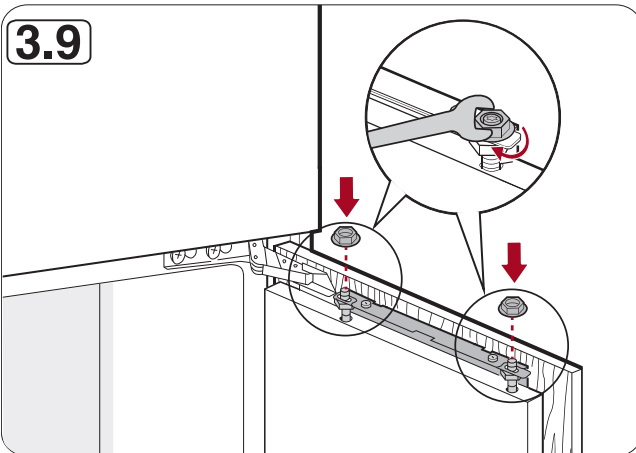
$\geq 3 \text{ mm}$
 $\leq 13 \text{ mm}$



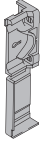
ca. 2mm



3.9



3.10



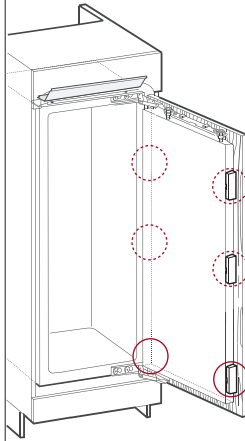
2x/4x/6x



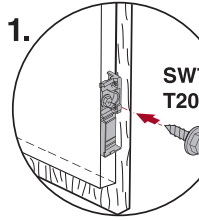
2x/4x/6x
3x13



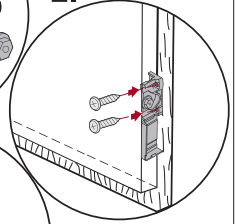
2x/4x/6x
4x19



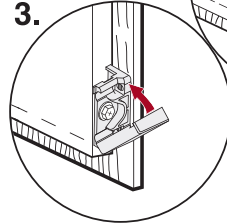
1.



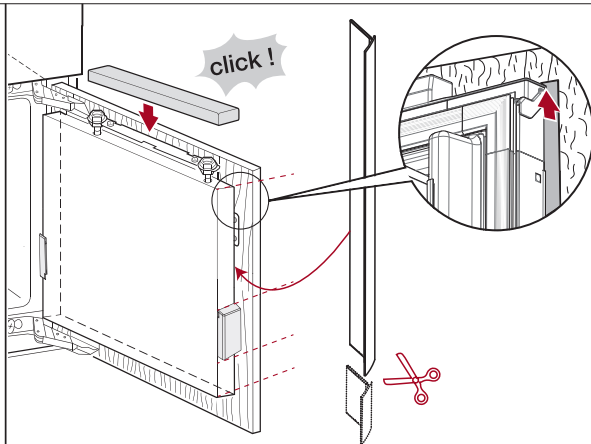
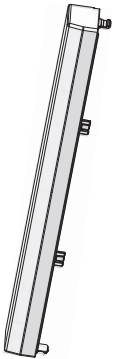
2.



3.



3.11



Miele & Cie. KG
Carl-Miele-Straße 29
33332 Gütersloh
Germany
Tel.: +49 5241 89-0
Fax: +49 5241 89-2090
Internet: www.miele.com

